



# Thermassure

Double protection  
anti-scald technology



## Key benefits

Temperature limited to 45° C even at maximum hot position

Fitted with Neoperl laminar-flow aerator for a smooth, non-splash water stream

## For Best Performance

**Suitable for high pressure systems only – combi or megaflow if in a domestic property**

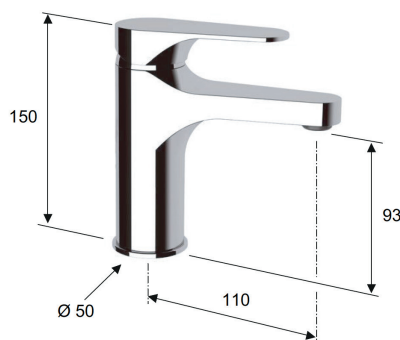
Minimum recommended operating pressure: 1.0 bar pressure dynamic but 1.5 bar for best performance

Recommended hot water supply minimum 60°C

Water pressure should be balanced supply

If cold water is greater than hot pressure, a PRV is recommended

## Dimensions



## Thermassure 'Anti-Scald' Lux Basin Mixer Tap

Product ref: HH-TS002

## Safety Cartridges

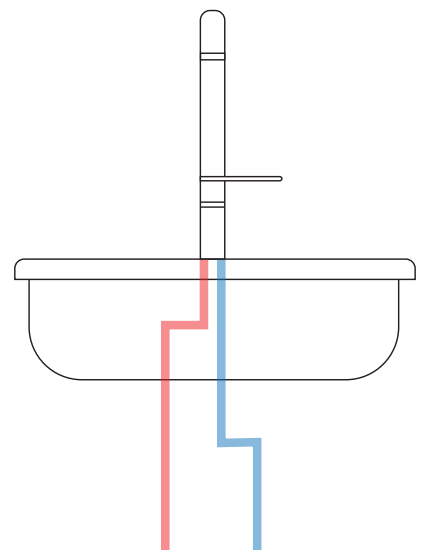
100% quality control: each cartridge is individually checked for leakage and antiscald function

Materials are certified to drinkable water regulation requirements

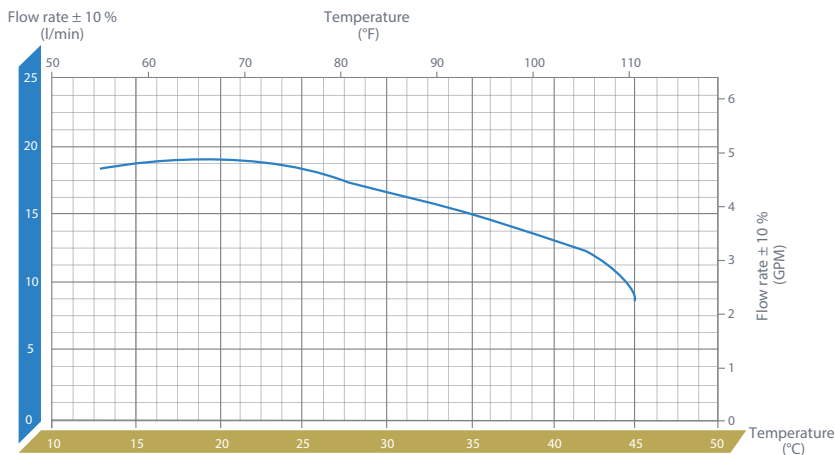
**Cartridges are guaranteed for one year**

Please note the hot feed must be connected correctly or the safety function will not work.

**When tap faces you the hot feed is on the left.**



## Flow Rate Vs Temperature



Hart Home Interiors Ltd

The Courtyard, Great Sarratt Hall Farm, Sarratt, Herts, WD3 4PD

T. +44 (0) 1923 265609

Hart Home  
GROUP 